

IPMX

Professional 2 Channel Stereo Mixer

Professioneller 2-Kanal Stereo-Mixer

Mezclador Estereo de 2 Canales Profesional

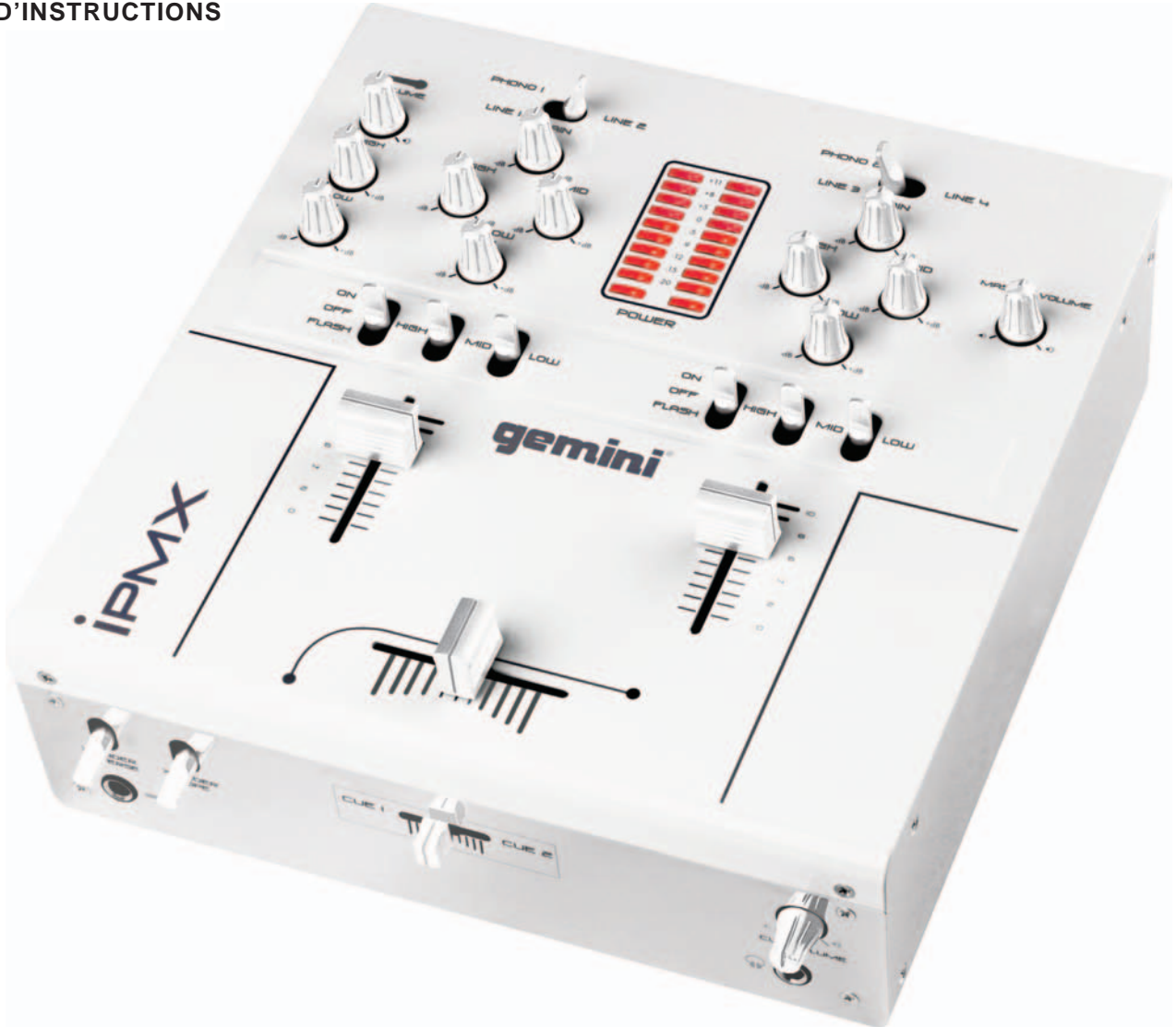
Mixer Stereo 2 Voies Professionnel

OPERATIONS MANUAL

BEDIENUNGSHANDBUCH

MANUAL DEL OPERADOR

MANUEL D'INSTRUCTIONS



iPmX

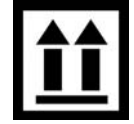


gemini[®]

MULTI LANGUAGE INSTRUCTIONS

ENGLISH.....	PAGE 4
DEUTSCH.....	PAGE 6
ESPAÑOL.....	PAGE 8
FRANCAIS.....	PAGE 10

PLEASE READ BEFORE USING APPLIANCE, IMPORTANT WARNING & SAFETY INSTRUCTIONS!



CAUTION: This product satisfies FCC regulations when shielded cables and connectors are used to connect the unit to other equipment. To prevent electromagnetic interference with electric appliances such as radios and televisions, use shielded cables and connectors for connections.

The exclamation point within an equilateral triangle is intended to alert the user to the presence of important operating and maintenance (servicing) instructions in the literature accompanying the appliance.

The lightning flash with arrowhead symbol, within an equilateral triangle, is intended to alert the user to the presence of uninsulated "dangerous voltage" within the product's enclosure that may be of sufficient magnitude to constitute a risk of electric shock to persons.

READ INSTRUCTIONS: All the safety and operating instructions should be read before the product is operated.

RETAIN INSTRUCTIONS: The safety and operating instructions should be retained for future reference.

HEED WARNINGS: All warnings on the product and in the operating instructions should be adhered to.

FOLLOW INSTRUCTIONS: All operating and use instructions should be followed.

CLEANING: The product should be cleaned only with a polishing cloth or a soft dry cloth. Never clean with furniture wax, benzene, insecticides or other volatile liquids since they may corrode the cabinet.

ATTACHMENTS: Do not use attachments not recommended by the product manufacturer as they may cause hazards.

WATER AND MOISTURE: Do not use this product near water, for example, near a bath tub, wash bowl, kitchen sink, or laundry tub; in a wet basement; or near a swimming pool; and the like.

ACCESSORIES: Do not place this product on an unstable cart, stand, tripod, bracket, or table. The product may fall, causing serious injury to a child or adult, and serious damage to the product. Use only with a cart, stand, tripod, bracket, or table recommended by the manufacturer, or sold with the product. Any mounting of the product should follow the manufacturer's instructions, and should use a mounting accessory recommended by the manufacturer.

CART: A product and cart combination should be moved with care. Quick stops, excessive force, and uneven surfaces may cause the product and cart combination to overturn. See **Figure A**.

VENTILATION: Slots and openings in the cabinet are provided for ventilation and to ensure reliable operation of the product and to protect it from overheating, and these openings must not be blocked or covered. The openings should never be blocked by placing the product on a bed, sofa, rug, or other similar surface. This product should not be placed in a built-in installation such as a bookcase or rack unless proper ventilation is provided or the manufacturer's instructions have been adhered to.

POWER SOURCES: This product should be operated only from the type of power source indicated on the marking label. If you are not sure of the type of power supply to your home, consult your product dealer or local power company.

LOCATION: The appliance should be installed in a stable location.

NON-USE PERIODS: The power cord of the appliance should be unplugged from the outlet when left unused for a long period of time.

GROUNDING OR POLARIZATION:

- If this product is equipped with a polarized alternating current line plug (a plug having one blade wider than the other), it will fit into the outlet only one way. This is a safety feature. If you are unable to insert the plug fully into the outlet, try reversing the plug. If the plug should still fail to fit, contact your electrician to replace your obsolete outlet. Do not defeat the safety purpose of the polarized plug.
- If this product is equipped with a three-wire grounding type plug, a plug having a third (grounding) pin, it will only fit into a grounding type power outlet. This is a safety feature. If you are unable to insert the plug into the outlet, contact your electrician to replace your obsolete outlet. Do not defeat the safety purpose of the grounding type plug.

POWER-CORD PROTECTION: Power-supply cords should be routed so that they are not likely to be walked on or pinched by items placed upon or against them, paying particular attention to cords at plugs, convenience receptacles, and the point where they exit from the product.

OUTDOOR ANTENNA GROUNDING: If an outside antenna or cable system is connected to the product, be sure the antenna or cable system is grounded so as to provide some protection against voltage surges and built-up static charges. Article 810 of the National Electrical Code, ANSI/NFPA 70, provides information with regard to proper grounding of the mast and supporting structure, grounding of the lead-in wire to an antenna discharge unit, size of grounding conductors, location of antenna-discharge unit, connection to grounding electrodes, and requirements for the grounding electrode. See **Figure B**.

LIGHTNING: For added protection for this product during a lightning storm, or when it is left unattended and unused for long periods of time, unplug it from the wall outlet and disconnect the antenna or cable system. This will prevent damage to the product due to lightning and power-line surges.

POWER LINES: An outside antenna system should not be located in the vicinity of overhead power lines or other electric light or power circuits, or where it can fall into such power lines or circuits. When installing an outside antenna system, extreme care should be taken to keep from touching such power lines or circuits as contact with them might be fatal.

OVERLOADING: Do not overload wall outlets, extension cords, or integral convenience receptacles as this can result in a risk of fire or electric shock.

OBJECT AND LIQUID ENTRY: Never push objects of any kind into this product through openings as they may touch dangerous voltage points or short-out parts that could result in a fire or electric shock. Never spill liquid of any kind on the product.

SERVICING: Do not attempt to service this product yourself as opening or removing covers may expose you to dangerous voltage or other hazards. Refer all servicing to qualified service personnel.

DAMAGE REQUIRING SERVICE: Unplug this product from the wall outlet and refer servicing to qualified service personnel under the following conditions:

- When the power-supply cord or plug is damaged.
- If liquid has been spilled, or objects have fallen into the product.
- If the product has been exposed to rain or water.
- If the product does not operate normally by following the operating instructions. Adjust only those controls that are covered by the operating instructions as an improper adjustment of other controls may result in damage and will often require extensive work by a qualified technician to restore the product to its normal operation.
- If the product has been dropped or damaged in any way.
- When the product exhibits a distinct change in performance, this indicates a need for service.

REPLACEMENT PARTS: When replacement parts are required, be sure the service technician has used replacement parts specified by the manufacturer or have the same characteristics as the original part. Unauthorized substitutions may result in fire, electric shock, or other hazards.

SAFETY CHECK: Upon completion of any service or repairs to this product, ask the service technician to perform safety checks to determine that the product is in proper operating condition.

WALL OR CEILING MOUNTING: The product should not be mounted to a wall or ceiling.

HEAT: The product should be situated away from heat sources such as radiators, heat registers, stoves, or other products (including amplifiers) that produce heat.



(2) Fig. A

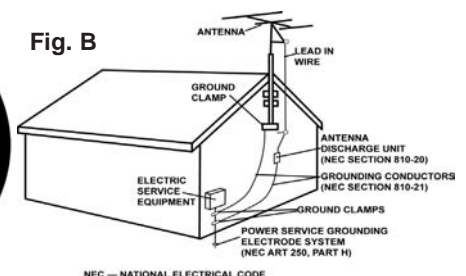
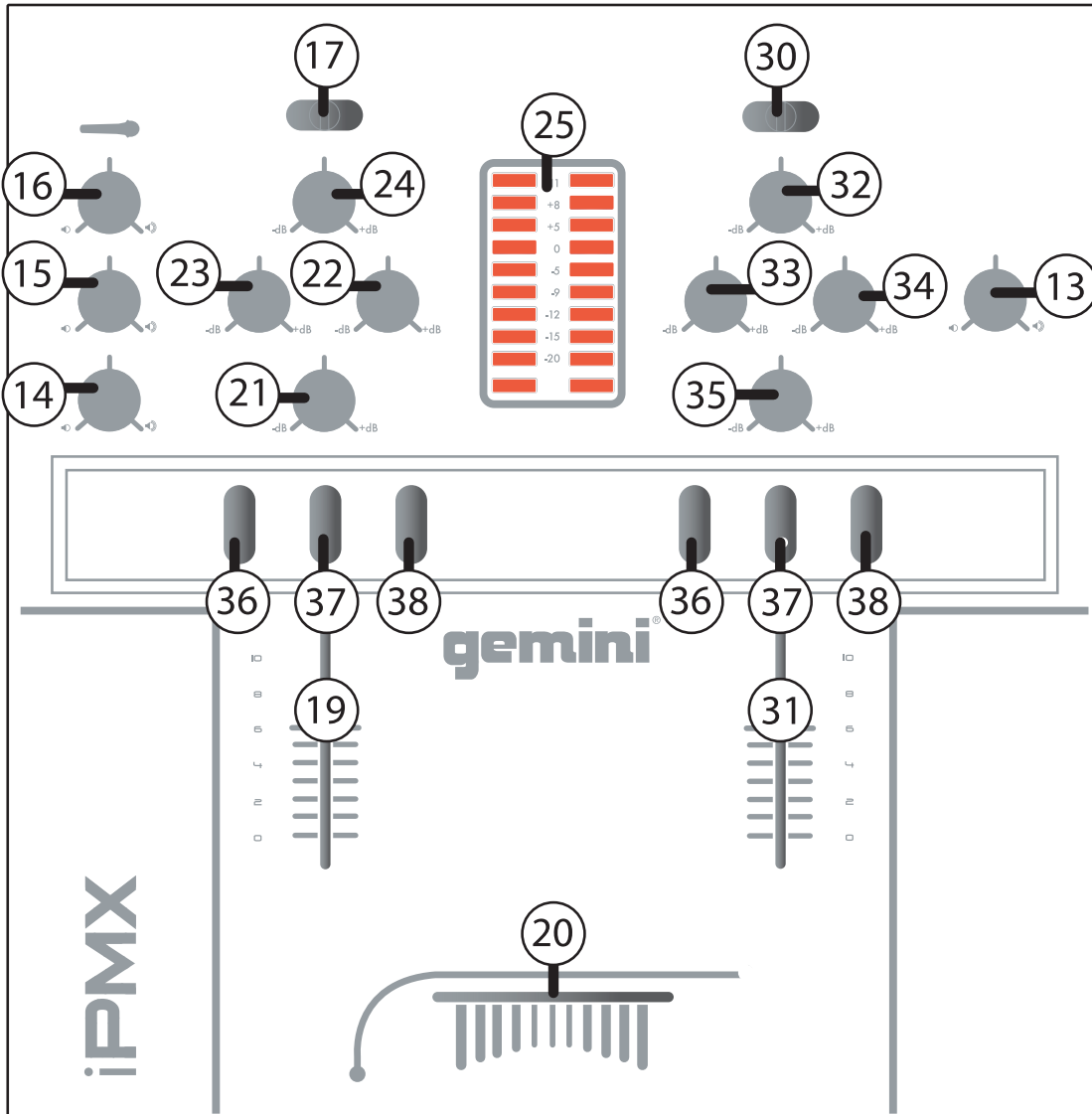


Fig. B
NEC — NATIONAL ELECTRICAL CODE

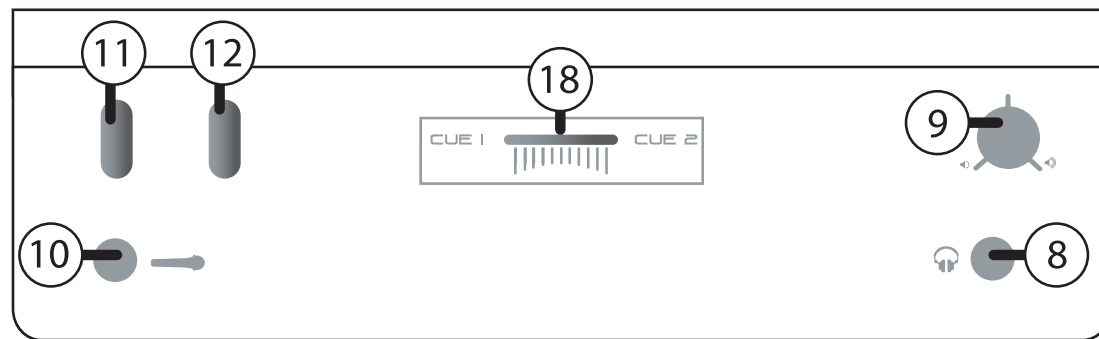
iPMX

FACE



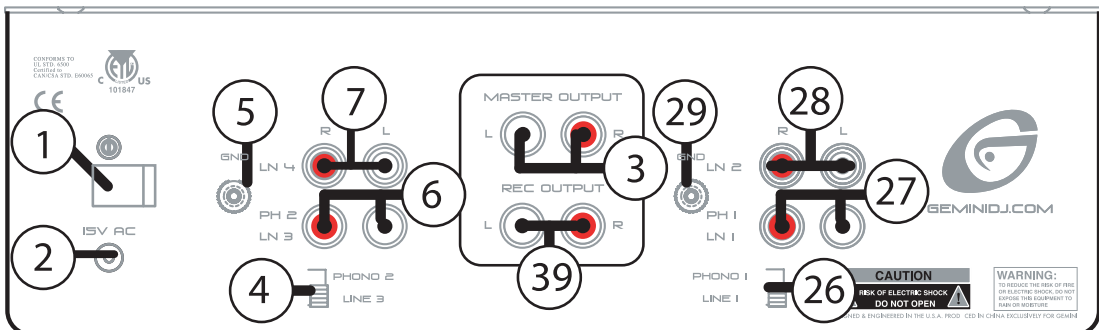
FACE

FRONT



FRONT

REAR



REAR

INTRODUCTION:

Congratulations on your purchase of a **GEMINI iPMX 10" 2 Channel Stereo Mixer**. This state-of-the-art mixer features the latest technological advances and is backed by a three year warranty, excluding the crossfader and channel slides.

FEATURES:

- 10" 2 stereo channel mixer
- 4 line, 2 convertible phono/line, RCA inputs
- 3 band rotary line EQ with cut feature
- EQ Kill Switches w/ Flash Effect
- Easy removable face plate for user replaceable Rail Glide Cross Fader
- Ergonomically designed to be flush with turntable
- Smooth curved face plate
- Front located Hamster/Reverse & crossfader Curve control switches
- Rotary Gain channel control
- Dual display with Bright LED
- Front located rotary Cue volume control & Cue section fader allowing Cue mix
- Face plate located 2 band rotary Mic EQ & volume controls
- Front located 1/4" Mic input & headphone output
- Dual ground screws for easy connectivity
- Master and record RCA outputs

CAUTIONS:

1. All instructions should be read before using this equipment.
2. To reduce the risk of electrical shock, do not open the unit. Please refer all servicing needs to a Gemini-qualified service technician.

In the USA ~ if you experience problems with this unit call
Gemini Customer Service at: 1 (732) 738-9003. Do not attempt to
return this equipment to your dealer.

3. Do not expose this unit to direct sunlight or a heat source such as a radiator or stove.
4. This unit should be cleaned only with a damp cloth. Avoid solvents or other cleaning detergents.
5. When moving this equipment it should be placed in its original carton and packaging. This will reduce the risk of damage during transit.
6. **DO NOT EXPOSE THIS UNIT TO RAIN OR MOISTURE.**
7. **DO NOT USE SPRAY CLEANERS OR LUBRICANTS ON CONTROLS, SURFACES OR SWITCHES.**

CONNECTIONS:

1. Ensure that the **POWER** (1) switch is in the **OFF** position prior to making any connections. This unit comes with a **15V AC** (2) adapter. Plug into the rear panel **15V AC** (2) jack before plugging it into a proper power source.
2. The **iPMX** has 2 sets of outputs:
 - The **MASTER OUTPUT** (3) jacks also connect to the main amplifier with **RCA** cables.
 - The **REC OUTPUT** (39) jacks can be used to connect the mixer to the record input of your recording unit, thus enabling you to record your mix by connecting these units with **RCA** cables.

3. Headphones may be plugged into the front panel-mounted **HEADPHONES** (8) 1/4" jack.

4. Microphones may be plugged into the front panel-mounted **MICROPHONE** (10) 1/4" jack.

5. The **iPMX** has 2 **CONVERTIBLE PHONO/LINE RCA INPUTS** (6,27) located on the back panel on either side of the **RCA INPUTS**. Facing the back panel, the convertible **RCA** Input on your right is for **PHONO 1/ LINE 1** (27). The convertible **RCA** input on your left is for **PHONO 2/ LINE 3** (6). Using the **PHONO/ LINE SWITCHES** (4,26), located just below each input, you may convert the **PHONO** to **LINE** and vice versa. Plug the **RCA's** from your playable medium into each input to be connected to their respective **CHANNELS** (19,31). The **PHONO INPUTS** (6,27) only accept turntables with a magnetic cartridge. The **STEREO LINE INPUTS** (6,7,27,28) only accept line level inputs such as a **CD, DAT, MiniDisc**, etc and require the proper switch setting.

6. When using (a) turntable(s), you will need to ground the **RCA** cable(s) by screwing in the grounding fork(s) to the **GROUNDING SCREWS** (5,29) located in the back panel of the **iPMX** mixer. Attach each **PHONO** ground line to one of the **DUAL GROUND THUMB SCREWS** (5,29). These are adjacent to each **RCA INPUT** (6,7,27,28).

NOTE: Not attaching a ground may cause a system "hum."

OPERATION:

1. **POWER ON:** Once all equipment connections have been made, press **POWER** (1) switch. Power is **ON** when the **VU METER** (25) power **LEDs** are illuminated.

2. **CHANNEL 1:** The **GAIN** (24), **HIGH** (23), **MID** (22), and **LOW** (21) controls allow you to fully adjust the selected source. The **PH-1/LN-1** (26) switch located on the rear panel allows you to select **PHONO 1** or **LINE 1**. The **PHONO1/LINE1-LINE 2** (17) switch located on the front allows you to switch from **PHONO 1** to **LINE 2** or **LINE 1** to **LINE 2**. **CHANNEL 1 SLIDE** (19) controls the input level of this channel.

3. **CHANNEL 2:** The **GAIN** (32), **HIGH** (33), **MID** (34), and **LOW** (35) controls allow you to fully adjust the selected source. The **PH-2/LN-3** (4) switch a located on the rear panel allows you to select **PHONO 2** or **LINE 3**. The **PHONO2/LINE3-LINE 4** (30) switch located on the front allows you to switch from **PHONO 2** to **LINE 4** or **LINE 3** to **LINE 4**. **CHANNEL 2 SLIDE** (31) controls the input level of this channel.

PLEASE NOTE: There is Low, Mid and High equalization for each channel with an extremely wide range of adjustment.

SUGGESTION: You can use the Cut Features on each channel to remove Low, Mid and/or High range to create special effects.

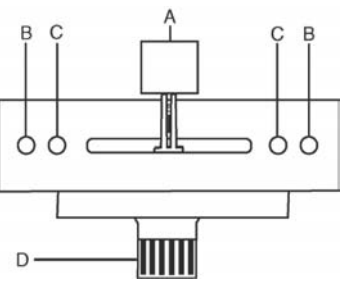
4. **KILLING FREQUENCIES:** There are two ways to kill frequencies, using the **LOW** (38), **MID** (37), and **HIGH** (36) **KILL SWITCHES**. Each Kill Switch has three positions, latch, normal and flash. When you move the selected **KILL SWITCH** to the top **LATCH (ON)** position, the switch will stay there, and the frequency will be killed. When you move the selected **KILL SWITCH** to the center position the kill function is not active and the frequency will not be killed.

When you move the selected **KILL SWITCH** to the bottom **FLASH** position and hold it there, the frequency will be killed. Releasing the selected **KILL SWITCH** from the bottom position will bring it back to the center position and the frequency will no longer be killed.

5. **CROSSFADER SECTION:** The **CROSSFADER** (20) allows the mixing of one source into another. The left side of the **CROSSFADER** (20) is **CH 1** (19) while the right belongs to **CH 2** (31). You may also reverse this default by switching the **HAMSTER/REVERSE** (11) switch. The **CROSSFADER** (20) in your unit is removable and if the need arises can be easily replaced. Your Gemini mixer comes with an **RG-45 (RAILGLIDE™) DUAL-RAIL CROSSFADER**. **RAIL GLIDE™** crossfaders have internal dual stainless steel rails that allow the slider to ride smoothly and accurately from end to end. Also available is our is the **RG-45 PRO (RAIL GLIDE™)** crossfader with a special curve designed for scratch mixing. Just purchase one from your **GEMINI** dealer and follow the instructions:

USER REPLACEABLE CROSS FADER

1. Unscrew the outside mixer **FACE PLATE** screws and remove the face plate. Then remove **FADER** plate screws (B & C).
2. Carefully lift the fader and unplug the **CABLE** (D).
3. Plug the new fader into the cable and place it back in the mixer.
4. Screw fader plate to the mixer and replace the mixer **FACE PLATE**.



Note: Do not apply pressure while using the Crossfader. Lightly glide the Crossfader back and forth. Pressing down on the controls can bend contacts and cause a loss of sound.

6. **CURVE CONTROL:** The **CROSSFADER CURVE SWITCH** (12) allows you to adjust the kind of curve the crossfader has. Depress the crossfader curve button to make the curve steep and cutting (perfect for scratching). Release the crossfader curve button to make the curve gradual and gentle.

7. **HAMSTER CONTROL:** The **CROSSFADER REVERSE SWITCH** (11) allows you to reverse the crossfader so that **CHANNEL 2** (31) is controlled by the left side of the crossfader and **CHANNEL 1** (19) is controlled by the right side of the crossfader.

NOTE: When the **CROSSFADER REVERSE SWITCH** (11) is activated (moved to the right), only the crossfader reverses. The Channel Slides, Gain, Kill Switches and tonal controls do not reverse.

8. **CUE:** Cue facilitates the seamless blending of one recorded track into another. Connecting a set of headphones to the **HEADPHONES** (8) jack allows you to monitor either **CHANNEL 1** or **CHANNEL 2**. Select **CHANNEL 1** (19) by moving **CUE FADER** (18), located on the front panel, to **CUE 1** on the left. Listen to **CHANNEL 2** by moving **CUE FADER** (18) to **CUE 2** on the right. To mix both Channels bring **CUE** (18) to the middle so that both tracks may be heard. Use **CUE VOLUME** (9) to adjust the headphone volume without affecting the speaker-driven mix.

9. **MIC SECTION:** Connecting a microphone to the 1/4" **MIC JACK** (10) allows voice amplification through the mixer to the stereo through the **MASTER OUTPUTS** (3). This is controlled by the **MIC VOLUME** (16), **HIGH** (15), **LOW** (14) rotary controls.

10. **OUTPUT CONTROL SECTION:** The level of the **MASTER OUTPUT** (3) is controlled by the **MASTER VOLUME** (13) rotary control.

11. **DISPLAYS:** The **DUAL LED METER** (25) indicates the **MASTER OUTPUT** (3) in stereo. **DUAL LED METER** (25) reflects the **MASTER VOLUME** (13), **GAIN** (24,32), **HIGH** (23, 33), **MID** (22, 34) and **LOW** (21, 35) rotary control adjustments for each channel. The **CHANNEL SLIDES** (19, 31) also affect each of the **LED METER** (25) **LEDs**.

SPECIFICATIONS:

INPUTS:

DJ Mic.....	1.5 mV 1 kOhm Balanced
Phono.....	3 mV 47 kOhm
Line.....	150 mV 10 kOhm

OUTPUTS:

Amp.....	0 dB 1V 400 Ohm
Max.....	20V Peak to Peak

GENERAL:

Bass (Channels 1-2).....	+12 dB/-36 dB
Mid (Channels 1-2).....	+12 dB/-36 dB
High (Channels 1-2).....	+12 dB/-36 dB
Gain (Channels 1-2).....	0 to -20 dB
Frequency Response.....	20 Hz-20 kHz +/- 2 dB
Distortion.....	Less Than 0.02%
S/N Ratio.....	Better Than 80 dB
Headphone Impedance.....	32 Ohm
Power Source Adapter.....	115V/15V AC 0.5A or 230V/15V AC 0.5A
Unit Dimensions.....	W 10" x H 3.3" x D 10.25"
.....	(254 x 84 x 260mm)
Weight.....	6.2 lbs (2.81 kg)

NOTE: SPECIFICATIONS AND DESIGN ARE SUBJECT TO CHANGE WITHOUT NOTICE FOR PURPOSE OF IMPROVEMENT.



EINLEITUNG:

Wir gratulieren Ihnen zum Kauf eines **GEMINI iPMX MISCHPULTS**. Dieses moderne Mischpult ist nach dem neuesten Stand der Technik hergestellt und mit dreijähriger Garantie, ausschließlich Crossfader und Kanalfader, ausgestattet. Vor Anwendung dieses Mischpults bitte alle Anweisungen sorgfältig durchlesen.

FUNKTIONEN:

- 10" 2-Kanal-Stereo-Mixer
- 4 Line, 2-umschaltbare Phono/Line Cincheingänge
- 3 Band-EQ mit Cutfunktion und Drehreglern
- EQ-Kill-Schalter mit Flash-Effekt
- Einfach auszutauschender Rail-Glide-Crossfader
- Ergonomisches Design
- Abgerundete Frontplatte
- Schalter für X-Fader-Reverse und Kurveinstellung auf der Vorderseite
- Gaindrehregler pro Kanal
- Zweifach-Display-Anzeige mit LED
- Cuesektion mit Volumedrehregler und Cue-Mix-Fader auf der Vorderseite
- Volume- und Eq-Drehregler für Mikrofon auf der Frontplatte
- 6.3 mm Klinkebuchse für Kopfhörer auf der Vorderseite
- 2 Erdungsschrauben für Masseanschluß
- Master und record cinchsausgänge

VORSICHTSMAßNAHMEN

1. Vor Anwendung dieses Geräts bitte alle Anweisungen sorgfältig durchlesen.
2. Das Gerät nicht öffnen, um das Risiko elektrischer Schocks zu vermeiden. Die Wartung darf nur von befähigten Wartungstechnikern durchgeführt werden.
3. Das Gerät nicht direktem Sonnenlicht oder einer Wärmequelle wie Heizkörper oder Ofen aussetzen.
4. Dieses Gerät darf nur mit einem feuchten Tuch gesäubert werden. Keine Lösungs- oder Reinigungsmittel benutzen.
5. Bei Umzügen sollte das Gerät in seinem ursprünglichen Versandkarton und Verpackungsmaterial verpackt werden. Dadurch verhindert man, daß das Gerät während des Transportes beschädigt wird.
6. **DIESES GERÄT NICHT REGEN ODERFEUCHTIGKEIT AUSSETZEN.**
7. **AN DEN REGLERN ODER SCHALTERN KEIN SPRAY-REINIGUNGSMITTEL ODER SCHMIERMITTEL BENUTZEN. SONST ERLISCHT DER GARANTIEANSPRUCH.**

ANSCHLÜSSE:

1. Vor dem Einstecken des **15V ADAPTER** (2) in die Buchse: **POWER** (1) auf Rückseite, überprüfen Sie, ob der **15V ADAPTER** (2) Schalter ausgeschaltet ist.
2. El **iPMX** tiene 2 salidas:
 - **SALIDA MASTER** (3) también conecta el mezclador con el amplificador principal, pero con conectores **RCA**.

- **SALIDA DE GRABACIÓN** (39) puede ser utilizada para conectar con cables **RCA** el mezclador a una entrada de un dispositivo de grabación, así como permitir grabar tu propia sesión.

3. Kopfhörer können an der Vorderseite in die **KOPFHÖRER-BUCHSE HEADPHONE** (8) eingesteckt werden.

4. Der Eingang **DJ MIC** (10) (an der Vorderseite) dient zum Anschluß eines Mikrofons mit 6.3 mm Klinkestecker (symmetrisch oder unsymmetrisch).

5. An der Rückseite sind jeweils **2 STEREOEINGÄNGE PHONO/LINE** (6, 27) und 2 Stereoeingänge **LINE** (7, 28) angebracht. Die Schalter **PHONO/LINE SWITCHES** (4, 26) ermöglichen Ihnen, die **EINGÄNGE** (6, 27) zwischen Phono und Line umzuschalten. An die Phono-Eingänge können nur Plattenspieler mit einem magnetischem Tonabnehmer angeschlossen werden.

6. Zwei Erdungsschrauben **DUAL GROUND SCREWS** (5, 29) zur Erdung des Plattenspielers sind an der Rückseite angebracht. An die Stereo-Lineeingänge können Geräte wie **CD-** oder **Kassettenspieler** angeschlossen werden.

ANMERKUNG: WENN DIE ERDUNG NICHT ANGESCHLOSSEN WIRD KANN EIN BRUMMSIGNAL AUFTRETEN.

BEDIENUNG

1. **STROM EIN:** Nachdem Sie alle Geräte am Mischpult angeschlossen haben, stecken Sie das Steckernetzteil in eine Schukosteckdose(230V)und drücken Sie auf die Taste **POWER** (1). Die Aussteuerungsanzeige **VU-METER** (25)leuchtet auf.

2. **KANAL 1:** Die EQ-Regler **GAIN** (24), **HIGH** (23), **MID** (22), **LOW** (21) dienen zur Anhebung /Absenkung der Höhen, Mitten und Tiefen. Der **GAIN** (24)-Regler erlaubt Ihnen, die Signalstärke des Kanals individuell zu regulieren. **SCHALTER** (17) ermöglicht, den Eingang von **PHONO 1/LINE 1** (27) oder **LINE 2** (28) auszuwählen. **CHANNEL SLIDE** (19) (Kanalfader)regelt den Ausgangspegel dieses Kanals.

3. **KANAL 2:** Die EQ-Regler **GAIN** (32), **HIGH** (33), **MID** (34), **LOW** (35) dienen zur Anhebung /Absenkung der Höhen, Mitten und Tiefen. Der **GAIN** (32)-Regler erlaubt Ihnen, die Signalstärke des Kanals individuell zu regulieren. **SCHALTER** (30) ermöglicht, den Eingang von **PHONO 2/LINE 3** (6) oder **LINE 4** (7) auszuwählen. **CHANNEL SLIDE** (31) (Kanalfader) regelt den Ausgangspegel dieses Kanals.

Hinweis: Zur individuellen Klangregelung, ist jeder Kanal mit einem 3-Band EQ ausgestattet. Dadurch ist eine Klangveränderung in weiten Bereichen möglich.

4. **KILL SEKTION:** Es gibt zwei Möglichkeiten, Frequenzen ganz auszublenden, indem man die Schalter **LOW** (38), **MID** (37) und **HIGH** (36) drückt. Jeder **KILL SWITCH** hat drei Positionen: Latch, Normal und Flash. Wenn der ausgewählte **KILL SWITCH** ganz nach oben in die Latch-Position (**ON**) geschoben wird, bleibt der Schalter in dieser Position, und die Frequenz wird ausgeblendet. Wird der ausgewählte **KILL SWITCH** in die mittlere Position geschoben, ist die Kill-Funktion nicht aktiv. Wird der aus-

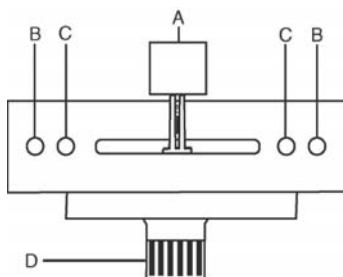
gewählte **KILL SWITCH** in die untere Flash-Position geschoben und dort gehalten, wird die Frequenz ausgeblendet. Wird der ausgewählte **KILL SWITCH** wieder losgelassen, federt er in die mittlere Position zurück, und die Frequenz wird nicht mehr ausgeblendet.

Ratschlag: Sie können die **CUT Funktion** und die **Kill-Features** eines jeden Kanals benutzen, um **Low, Mid und/oder High** auszublenden um dadurch **Spezialeffekte** zu erzielen.

5. CROSSFADER SEKTION (ÜBERBLENDER): Der **CROSSFADER** (20) ermöglicht das Mixen von einem Kanal zum Anderen. Der **iPMX** ist mit einem **RG-45 (RAIL-GLIDE™) DUAL-RAIL** Crossfader ausgestattet, welcher im Servicefall leicht austauschbar ist. **RAIL GLIDE™ CROSSFADER** sind mit Doppel-Edelstahlschienen ausgestattet, die ein sanftes Gleiten zwischen beiden Endpunkten ermöglichen. Lieferbar ist ausserdem der **RG-45 PRO (PROGLIDE™)**, der speziell für das Scratching designed wurde:

EINFACH AUSZUTAUŠCHENDER RAIL-GLIDE-CROSSFADER

1. Die äußeren **SCHRAUBEN DER CROSSFADERPLATTE (B)** losschrauben. Nicht die **INNEN-SCHRAUBEN (C)** losschrauben.
2. Den Überblender vorsichtig anheben und das **KABEL (D)** abziehen.
3. Das Kabel an den neuen Crossfader stecken und wieder in das Mischpult setzen.
4. Den neuen Überblender mit den Schrauben am Mischpult befestigen.



6. Die **CROSSFADER CURVE-TASTE** (12) ermöglicht die jeweilige Art der Kurve des Crossfaders einzustellen. Drücken Sie auf die Crossfader Curve-Taste um die Kurve steil und scharf zu machen (ideal für Scratching). Lösen Sie die Crossfader Curve-Taste aus um die Kurve sanft und weich zu machen.

7. Der **CROSSFADER REVERSE SWITCH** (11) ermöglicht die Umkehrfunktion des Crossfaders **KANAL 2** (31) wird nun kontrolliert durch die linke Seite des Crossfader und **KANAL 1** (19) durch die rechte Seite.

HINWEIS: Ist der **CROSSFADER REVERSE-SCHALTER** (11) aktiviert (nach rechts geschoben), läuft nur der Crossfader gegenläufig. Die Kanalfader und alle anderen Drehregler und Schaltern nicht!

8. AUSGANGSREGELUNG: Der Pegel des **MASTER OUTPUT** (3) (Verstärkerausgang) wird mittels des Drehreglers **MASTER** (13) gesteuert.

9. MIC SECTION: Ein Mikrofon bis das erlaubt 1/4" **MIC JACK** (10) anschließend, Sprachverstärkung durch den Mischer zum Stereo durch die Vorlagenausgänge. Dieses wird durch die Drehsteuerung des **HIGH** (15), **LOW** (14) **VOLUMENS MIC** (16) gesteuert.

10. CUE: Indem Sie die Kopfhörer an der **KOPFHÖRER-BUCHSE** (8) anschließen, können Sie einen oder beide Kanäle zusammen überwachen. Den **CUE-SCHALTER** (18) nach links schieben, um **KANAL 1** (19) zu überwachen. Den **CUE-SCHALTER** (18) nach rechts schieben, um **KANAL 2** (31) zu überwachen. Mit Hilfe des **CUE-PEGEL-REGLERS** (9) kann die Kopfhörerlautstärke eingestellt werden, ohne dabei die allgemeine Tonmischung zu beeinträchtigen.

11. VU METER: Die Doppelfunktionsanzeige **VU METER** (25) gibt eine Darstellung entweder der Pegel des **MASTER RCA OUTPUT**-(13) Ausgangs links und rechts oder der Pegel der Kanäle 1 und 2. Die gewünschte Option kann durch Druck auf die Taste **VU METER** (25) gewählt werden.

Zu beachten: Wenn das **DISPLAY** (25) sich im Anzeigemodus Kanal 1/Kanal 2 befindet, kann das Signal mittels der jeweiligen Gainregler verstärkt oder verringert werden, um es dem Signal des anderen Kanals anzupassen. Die Kanalfader und der Crossfader haben keinen Einfluss auf die Anzeigewerte.

SPEZIFIKATIONEN:

EINGÄNGE:

DJ-Mikrofon.....	1.5 mV 1 kOhm balanced
Phono.....	3 mV, 47 kOhm
Line.....	150 mV, 10 kOhm

AUSGÄNGE:

Verstärker.....	0 dB 1 V 400 Ohm
Max.....	20V Spitze-Spitze

ALLGEMEINES:

Tiefenregler (Kanäle 1 - 2).....	+12dB/-36dB
Mittenregler (Kanäle 1 - 2).....	+12dB/-36dB
Höhenregler (Kanäle 1 - 2).....	+12dB/-36dB
Gainregler (Kanäle 1 - 2).....	0 bis -20 dB
Frequenzgang.....	20 Hz - 20 kHz +/- 2 dB
Klirrfaktor.....	< 0.02%
Störabstand.....	besser als 80 dB
Kopfhörerimpedanz.....	32 Ohm
Stromversorgung.....	Steckernetzteil 230V/15V AC 0.5A
Abmessungen.....	254 x 84 x 260 mm
Gewicht.....	2.81 kg

DIE SPEZIFIKATIONEN KÖNNEN ZU VERBESSERUNGSZWECKEN OHNE VORHERIGE BEKANNTGABE GEÄNDERT WERDEN.



INTRODUCCIÓN

Felicitaciones por su compra del mezclador **iPMX de GEMINI**. Este mezclador de la más avanzada tecnología está dotado de características ultramodernas y está respaldado por una garantía de tres años, salvo el crossfader y los faders de canal. Antes de usarlo, le recomendamos leer cuidadosamente todas las instrucciones.

CARACTERÍSTICAS

- Mezclador Estéreo 10" de 2 canales
- Entradas RCA 4 Línea, 2 convertibles Phono/Línea
- EQ rotativo de 3 Bandas con sistema Cut
- Interruptor Kill con efecto Flash
- Carátula fácilmente removible para cambiar el Crossfader por parte del usuario
- Diseño ergonómico para encajar con los giradiscos
- Carátula curvada suavemente
- Hamster/Reverse & Control de curva del Cross Fader en frontal
- Control de Ganancia rotativo
- Doble Display con LED
- Volumen Cue rotativo y Fader de Cue en panel frontal con Cue Mix
- EQ rotativo de 2 bandas para micrófono en panel principal
- Salida auriculares y entrada micrófono jack ¼" en panel frontal
- Doble toma de tierra para fácil conexión
- Salida RCA para master y grabación

PRECAUCIONES

1. Deberán leerse todas las instrucciones de operación antes de usar el equipo.
2. Para reducir el riesgo de shock eléctrico, no abra esta unidad. Por favor, refiera el servicio a un técnico de servicio calificado.
3. No exponga la unidad a la luz solar directa ni a una fuente de calor, por ejemplo, un radiador o estufa.
4. Esta unidad sólo deberá limpiarse con un paño húmedo. Evite el uso de disolventes u otros detergentes de limpieza.
5. Para mover este equipo, colóquelo en la caja y embalaje original, a fin de reducir el riesgo de daños durante el transporte.
6. **NO DEJE ESTA UNIDAD EXPUESTA A LLUVIA O HUMEDAD.**
7. **NO USE LIMPIADORES DE SPRAY O LUBRICANTES EN CUALESQUIER CONTROLES O INTERRUPTORES.**

CONEXIONES

1. Antes de enchufar el **ADAPTADOR de la CA 15V** en la alimentación **POWER JACK (2)** en panel trasero, cerciórese de que el interruptor de la **ALIMENTACION - POWER (1)** está en la posición de reposo.
2. El **iPMX** tiene 2 salidas:
 - **SALIDA MASTER (3)** también conecta el mezclador con el amplificador principal, pero con conectores **RCA**.

- **SALIDA DE GRABACIÓN (39)** puede ser utilizada para conectar con cables **RCA** el mezclador a una entrada de un dispositivo de grabación, así como permitir grabar tu propia sesión.

3. Los auriculares se enchufan en el jack de **HEADPHONE (8)** (auriculares) montado en el panel delantero.

4. La entrada **DJ MIC (10)** (que se encuentra en el panel delantero) acepta conector de jack ¼" y micrófonos balanceados y no balanceados.

5. En el panel trasero hay 2 entradas estereofónicas **PHONO/LÍNEA - PHONO/LINE (6, 27)**, y 2 entradas estereofónica de **LÍNEA - LINE (7, 28)**. Los conmutadores **PHONO/LINE SWITCHES (4,26)** le permiten conmutar las **ENTRADAS (6, 27)** a Phono o Line (giradiscos o línea). Las entradas phonp solamente aceptarán giradiscos con cápsula magnética.

6. Un **GROUND SCREW (5, 29)** para poner el giradiscos a tierra se encuentra en el panel trasero. Las entradas de línea estereofónicas aceptarán cualquier entrada de nivel de línea tal como reproductor de discos compactos o cintas, etc.

NOTA: Al conectar una masa puede causar ruidos.

FUNCIONAMIENTO

1. **ENCENDIDO:** Una vez que haya efectuado todas las conexiones de los equipos a su mezclador, oprima el **INTERRUPTOR DE ALIMENTACIÓN - POWER (1)**.

2. **CANAL 1:** Los mandos de **GAIN (24)** (ganancia), **HIGH (23)** (alto), **MID (22)** (medios) y **LOW (21)** (bajo) le permiten ecualizar la fuente seleccionada. El **SWITCH # (17)** le permite seleccionar la entrada **LINE 2 (28)** o **PHONO 1/LINE 1 (27)**. El **CHANNEL SLIDE (19)** (fader de canal) controla el volumen de salida de este canal.

3. **CANAL 2:** Los mandos de **GAIN (32)** (ganancia), **HIGH (33)** (alto), **MID (34)** (medios) y **LOW (35)** (bajo) le permiten ecualizar la fuente seleccionada. El **SWITCH # (30)** le permite seleccionar la entrada **PHONO 2/LINE 3 (6)**, o **LINE 4 (7)**. El **CHANNEL SLIDE (31)** (fader de canal) controla el volumen de salida de este canal.

NOTA: La ecualización de graves, medios y agudos por cada canal con muy amplio espectro le permite obtener mejor mezcla.

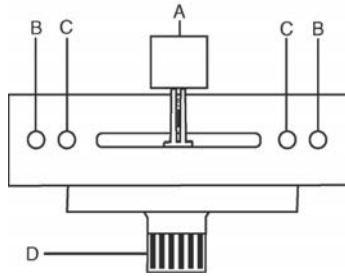
4. **SUPRESION DE FRECUENCIAS:** Hay dos maneras para suprimir frecuencias: mediante los **LOW (38)**, **MID (37)** y **HIGH (36) KILL SWITCHES** (interruptores de supresión de frecuencias bajas, medianas y altas). Cada interruptor de supresión puede ocupar tres posiciones: latch (enganche), normal y flash (destello). Cuando el **KILL SWITCH** seleccionado ocupa la posición superior de "latch" (**ON**), el interruptor se mantendrá en este sitio y la frecuencia será suprimida. Cuando el **KILL SWITCH** seleccionado ocupa la posición central, la función de supresión no es activa y la frecuencia no será suprimida. Cuando el **KILL SWITCH** seleccionado ocupa la posición inferior de "flash" y se mantiene en este sitio, la frecuencia será suprimida. Cuando se libera el **KILL SWITCH** seleccionado de la posición inferior, volverá a la posición central y la frecuencia ya no se suprimirá.

SUGERENCIA: Puede usar las funciones CUT y las funciones de supresión en cada canal para suprimir los tonos bajos, medianos y/o altos para crear efectos especiales.

5. **SECCIÓN CROSS FADER:** El **CROSS FADER** (20) permite mezclar de una fuente a otra. El **CROSS FADER** (20) en su unidad es reemplazable y si se necesita, de fácil intercambio. Su mezclador **GEMINI** viene con un cross fader **RG-45 (RAILGLIDE™) Doble-Rail. Rail Glide™** cross fader tienen dos raíles internos de acero inoxidable que permite un deslizamiento suave y preciso de un extremo al otro. También tiene disponible el **RG-45 PRO (PROGLIDE™) Doble-Rail**. Este crossfader de características únicas, tiene una curva especialmente diseñada para scratch. Simplemente compre uno en su distribuidor habitual y siga estas instrucciones:

CAMBIAR EL CROSSFADER POR PARTE DEL USUARIO

1. Destornille los **TORNILLOS EXTERIORES** de la **PLACA DEL CROSSFADER** (B). No toque **LOS TORNILLOS INTERIORES** (C).
2. Levante cuidadosamente el crossfader y desenchufe el **CABLE** (D).
3. Conecte el nuevo crossfader al cable y póngalo de nuevo dentro del mezclador.
4. Atornille el crossfader en el mezclador.



6. El **PULSADOR CROSSFADER CURVE** (12) le permite ajustar la curva del crossfader. Oprima el pulsador crossfader curve para producir una curva fuerte y cortante (perfecto para realizar el "scratching"). Suelte el pulsador crossfader curve para producir una curva progresiva y suave.

7. El **CROSSFADER REVERSE SWITCH** (11) le permite invertir el crossfader; así el canal 2 será mandado por el lado izquierdo del crossfader y el canal 1 lo será por el lado derecho del crossfader.

NOTA: Cuando se activa el **CROSSFADER REVERSE SWITCH** (11) (posicionado a la derecha), solamente se produce la inversión del crossfader. No se produce en los faders de canales, en las ganancias, en los interruptores Kill ni en los mandos de tonalidad.

8. **SECCIÓN DE CONTROL DE SALIDA:** El nivel de la salida del amplificador **MASTER OUTPUT** (3) se controla con el fader **MASTER** (13).

9. **SECCION DE MIC:** Conectar un micrófono con los 1/4" **MIC GATO** (10) permite la amplificación de la voz a través del mezclador ala estereofonia a través del amo Salidas. Esto es controlada por los controles rotatorios del **VOLUMEN MIC** (16), **HIGH** (15) (altos), y **LOW** (14) (bajos).

10. **SECCIÓN CUE (DE PREESCUCHA):** Al conectar auriculares al jack de **HEADPHONE** (8), se puede monitorear el canal 1, el canal 2 o ambos a la vez. Mueva el **CUE FADER** (18) a la izquierda para monitorear el **CANAL 1** (19). Mueva el **CUE FADER** (18) a la derecha para monitorear el **CANAL 2** (31). Utilice el mando del - (9) para ajustar el volumen del auricular sin afectar la mezcla global.

11. **VU METRO:** El **VU METRO** (25), de doble función, indica ya sea los niveles de salida principal izquierda y derecha **RCA de MASTER OUTPUT** (13) o los niveles del canal 1 y del canal 2. Se puede elegir la opción apretando el botón de visualizador **VU METRO** (25).

Nota: Cuando el visualizador **DISPLAY** (25) está en modalidad de canal 1/canal 2, se puede aumentar o disminuir la señal para igualarla a la señal del otro canal graduando los controles de ganancia de cada canal. Los faders de canal y el crossfader no tienen efecto sobre la lectura del visualizador.

ESPECIFICACIONES TÉCNICAS

ENTRADAS:

DJ Micro.....	1.5 mV 1 kOhm Balanceado
Phono.....	3 mV 47 kOhm
Línea.....	150 mV 10 kOhm

SALIDAS:

Amp.....	0 dB 1V 400 Ohm
Max.....	20V Peak to Peak

GENERAL:

Graves (Canales 1-2).....	+12 dB a -36 dB
Medios (Canales 1-2).....	+ 12 dB a -36 dB
Agudos (Canales 1-2).....	+ 12 dB a -36 dB
Ganancia (Canales 1-2).....	0 a -20 dB
Respuesta en Frecuencia.....	20 Hz-20 kHz +/- 2 dB
Distorsión.....	Menor de 0.02%
Relación S/N.....	Mayor de 80 dB
Impedancia Auriculares.....	32 Ohm
Alimentación.....	Adaptador 115 V/15 V AC 0.5 A
.....	230 V/15 V AC 0.5 A
Dimensiones.....	254 x 84 x 260 mm
Peso.....	2.81 kg

LAS ESPECIFICACIONES Y EL DISEÑO PUEDEN CAMBIAR SIN PREAVISO POR RAZONES DE MEJORAS.



INTRODUCTION

Nos félicitations à l'occasion de votre achat du **mélangeur iPMX de GEMINI**. Ce mélangeur très moderne inclut les caractéristiques technologiques les plus récentes et il est accompagné d'une garantie de trois ans, à l'exclusion du crossfader et des curseurs de canal. Avant toute utilisation, lisez attentivement les instructions ci-après.

CARACTÉRISTIQUES

- Mixer stéréo 2 voies 10"
- 4 lignes dont 2 commutables Phono/Ligne
- Corrections 3 Bandes avec coupure totale
- Kill switches + flash effets 3 bandes
- Crossfader Rail Glide interchangeable
- Hauteur identique aux platines vinyles pour une installation optimale
- Soft design face avant
- Inverseur & réglage de courbe du crossfader en face avant
- Gain réglable sur chaque voie
- VU-mètre à leds
- Réglage volume casque & fader Cue/PGM en face
- Réglage niveau micro en face avant + correction 2 bandes
- Prises micro & casque Jack 6.35 mm en face avant
- 2 visse de terre (Platine vinyle)
- Sorties master et enregistrement sur connecteurs RCA

AVERTISSEMENTS

1. Toutes les instructions de fonctionnement doivent être lues avant d'utiliser ce matériel.
2. Afin de réduire le risque de choc électrique, n'ouvrez pas l'appareil. Veuillez soumettre l'entretien/la réparation à un technicien qualifié.
3. Ne pas exposer cet appareil aux rayons du soleil direct ou à une source de chaleur telle qu'un radiateur ou un poêle.
4. Cet appareil doit être nettoyé seulement avec un chiffon humide. Évitez les solvants et autres détergents de nettoyage.
5. Lorsque vous déplacez ce matériel, il doit être mis dans son carton et son emballage d'origine. Ceci réduira le risque de dégâts pendant le transport.
6. **NE PAS EXPOSER CET APPAREIL À LA PLUIE OU À L'HUMIDITÉ.**
7. **N'UTILISEZ PAS DE PRODUIT DE NETTOYAGE AVEC VAPORISATEUR OU LUBRIFIANT SUR AUCUN DES BOUTONS OU DES INTERRUPTEURS.**

CONNEXIONS

1. Avant le branchement de l'**ADAPTEUR 15V** dans le connecteur **POWER JACK** (2) sur le panneau arrière, assurez-vous que le commutateur **POWER** (1) est dans la position **OFF**.
2. L'appareil comporte 2 sorties séparées:
 - **MASTER OUTPUT** (3) (sortie principale asymétrique): elle sert à relier la console à l'amplificateur de puissance.

- **REC OUTPUT** (39) (sortie enregistrement): sert à relier votre console à l'entrée enregistrement de votre enregistreur.

3. Les écouteurs peuvent être branchés au jack **HEADPHONE** (8) que l'on retrouve sur le panneau avant.

4. L'entrée **DJ MIC** (10) (retrouvée sur le panneau avant) accepte un connecteur jack de 6.35 mm et des microphones équilibrés et non équilibrés.

5. Sur le panneau arrière, il y a 2 entrées stéréo **PHONO/LINE** (6, 27) et 2 entrées **LINE** (7, 28) stéréo. Les **PHONO/LINE SWITCHES** (4, 26) (commutateurs phono/ligne) vous permettent de régler les **ENTRÉES** (6, 27) sur Phono ou Ligne. Les entrées **PHONO** (6, 27) n'acceptent que des tourne-disques avec cellules magnétique.

6. Une **DUAL GROUND SCREWS** (5, 29) (vis de terre) pour mise à la masse des tourne-disques est située sur le panneau arrière. Les **ENTRÉES DE LIGNE STÉRÉO** (6,7,27,28) accepteront n'importe quelle entrée en niveau ligne telle que **Lecteur CD**, **Lecteur cassette**, etc.

NOTE: NE PAS BRANCHER LA MASSE DES PLATINES VINYLES PROVOQUERA UN BOURDONNEMENT.

FONCTIONNEMENT

1. **POWER ON (MISE SOUS TENSION):** Dès que tous les branchements sont effectués à votre mélangeur, appuyez sur le **POWER** (1) (touche de mise sous tension).

2. **CANAL 1:** Les commandes **GAIN** (24), **HIGH** (23) (aigu), **MID** (22) (médium) et **LOW** (21) (bass) vous permettent de régler entièrement la source choisie. Le **COMMUTATEUR #** (17) vous permet de choisir l'entrée **LINE 2** (28) ou **PHONO 1/LINE 1** (27). Le **CHANNEL SLIDE** (19) (curseur de canal) commande la sortie de ce canal.

3. **CANAL 2:** Les commandes **GAIN** (32), **HIGH** (33) (aigu), **MID** (34) (médium) et **LOW** (35) (bass) vous permettent de régler entièrement la source choisie. Le **COMMUTATEUR #** (30) vous permet de choisir l'entrée **PHONO 2/LINE 3** (6) ou **LINE 4** (7). Le **CHANNEL SLIDE** (31) (curseur de canal) commande la sortie de ce canal.

NOTE: Chaque canal dispose d'une égalisation des basses, médiums et aigus avec une très grande plage de réglage, ce qui vous permet un meilleur mélange.

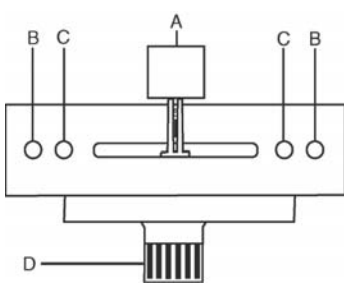
4. **SUPPRESSION DES FRÉQUENCES:** Il y a deux moyens pour supprimer des fréquences à l'aide des **LOW** (38), **MID** (37) et **HIGH** (36) **KILL SWITCHES** (commutateurs de suppression de fréquences basses, moyennes et hautes). Chaque commutateur de suppression peut occuper trois positions: latch (verrouillage), normal et flash (éclair). Lorsque vous mettez le **KILL SWITCH** choisi sur la position supérieure de verrouillage (**ON**), il se maintiendra sur cette position et la fréquence sera supprimée. Lorsque vous mettez le **KILL SWITCH** choisi sur la position centrale, la fonction suppression n'est pas active et la fréquence ne sera pas supprimée. Lorsque vous mettez le **KILL SWITCH** choisi sur la position inférieure de clignotement et vous la maintenez ainsi, la fréquence sera supprimée. Si vous libérez le **KILL SWITCH** de la position inférieure, il se remettra sur la position centrale et la fréquence ne sera plus supprimée.

SUGGESTION: Vous pouvez utiliser les CUT sur chaque canal pour éliminer les basses, médiums et/ou aigus afin de créer des effets spéciaux.

5. **SECTION CROSSFADER:** Le **CROSSFADER** (20) permet de passer d'une source à une autre. Le **CROSSFADER** (20) de votre appareil est amovible et remplaçable par l'utilisateur. Cet appareil est équipé d'un **CROSSFADER RG- 45 (RAILGLIDE™)** à **Double Glissière (Dual-Rail)** possédant deux rails en acier inoxydable et procurant un toucher souple & précis. Vous pouvez aussi équiper votre console de mixage d'un **CROSSFADER RG-45 PRO (PROGLIDE™)** possédant une courbe et une coupure plus appropriées au scratch. Cette pièce est disponible auprès de tout revendeur **GEMINI**. Veuillez respecter les instructions suivantes:

CROSSFADER RAIL GLIDE INTERCHANGEABLE

1. Dévissez les VIS externes **DE LA PLAQUE DU CROSSFADER (B i C)**.
2. Soulevez soigneusement le crossfader et débranchez le **CÂBLE (D)**.
3. Branchez le nouveau crossfader au câble et remplacez-le dans le mélangeur.
4. Vissez le crossfader au mélangeur.



6. **CROSSFADER CURVE:** Le **BOUTON POUSSOIR CROSSFADER CURVE** (12) vous permet d'ajuster la courbe du crossfader. Appuyez sur le bouton poussoir crossfader curve pour produire une courbe raide et coupante (parfaite pour le "scratching"). La libération du bouton poussoir crossfader curve produira une courbe progressive et modérée.

7. **CROSSFADER REVERSE:** Le **CROSSFADER REVERSE SWITCH** (11) vous permet de renverser le crossfader; ainsi le canal 2 sera commandé par le côté gauche du crossfader et le canal 1 par le côté droit du crossfader.

REMARQUE: Lorsque le **CROSSFADER REVERSE SWITCH** (11) est activé (déplacé à droite), seul le crossfader sera renversé. Les curseurs coulissants des canaux, le gain, les interrupteurs Kill et les commandes de tonalité ne sont pas renversés.

8. **SECTION OUTPUT CONTROL:** Le niveau de **MASTER OUTPUT** (3) est commandé par la commande **MASTER** (13).

9. **SECTION MIC:** Reliant un microphone aux 1/4" Mic Jack (10) permet l'amplification de voix par le mélangeur au stéréo par les sorties principales. Ceci est commandés par la commande rotatoire du **VOLUME MIC** (16), **HIGH** (15), et **LOW** (14).

10. **SECTION "CUE":** En branchant des écouteurs au jack de **HEADPHONE** (8), vous pouvez écouter le canal 1, le canal 2 ou les deux à la fois. Déplacez le **CUE FADER** (18) à gauche pour suivre le **CANAL 1** (19). Déplacez le **CUE FADER** (18) à droite pour suivre le **CANAL 2** (31). Servez-vous de la commande **CUE VOLUME** (9) pour ajuster le volume des écouteurs sans affecter le mélange global.

11. **AFFICHAGE:** Le **VU METER** (25) (Affichage) de maintien de crête à double fonction indique soit les niveaux gauche et droit de la sortie **RCA de MASTER OUTPUT**(13) ou les niveaux canal 1 et canal 2. Vous pouvez choisir l'option que vous désirez en appuyant sur le bouton **VU METER** (25).

NOTE: Quand le **DISPLAY** (25) est en mode d'affichage canal 1/canal 2, en réglant les commandes individuelles de gain, vous pouvez augmenter ou diminuer le signal pour s'ajuster au signal de l'autre canal. Les glissières de canal et le crossfader n'ont pas d'effet sur les lectures d'affichage.

CARACTÉRISTIQUES TECHNIQUES

ENTREES:

Micro.....1.5mV 1 kOhm Symétrique
Phono.....3 mV, 47 kOhms
Ligne.....150 mV, 10 kOhms

SORTIES:

Amplificateur.....0 dB 1 V, 400 Ohms
Max.....20 V Crête/Crête

CARACTERISTIQUES GENERALES:

Basse (Voies 1-2).....+12 dB à -36 dB
Médium (Voies 1-2).....+12 dB à -36 dB
Aigu (Voies 1-2).....+12 dB à -36 dB
Gain (Voies 1-2).....0 à -20 dB
Bande passante.....20Hz - 20 kHz +/- 2 dB
Distortion.....< 0.02%
Rapport Signal/Bruit.....> 80 dB
Impedance casque.....32 Ohms
Alimentation.....Transformateur externe 115 V/15 V AC
.....ou 230 V/15 V AC
Dimensions.....254 x 84 x 260 mm
Poids net.....2.81 kg

LES SPÉCIFICATIONS ET LA CONCEPTION PEUVENT CHANGER SANS PRÉAVIS POUR DES RAISONS D'AMÉLIORATION.

gemini®

gemini[®]

IN THE USA: IF YOU EXPERIENCE PROBLEMS WITH THIS UNIT, CALL 1-732-738-9003 FOR GEMINI CUSTOMER SERVICE. DO NOT ATTEMPT TO RETURN THIS EQUIPMENT TO YOUR DEALER.

Parts of the design of this product may be protected by worldwide patents. Information in this manual is subject to change without notice and does not represent a commitment on the part of the vendor. Gemini Sound Products Corp. shall not be liable for any loss or damage whatsoever arising from the use of information or any error contained in this manual. No part of this manual may be reproduced, stored in a retrieval system or transmitted, in any form or by any means, electronic, electrical, mechanical, optical, chemical, including photocopying and recording, for any purpose without the express written permission of Gemini Sound Products Corp. It is recommended that all maintenance and service on this product is performed by Gemini Sound Products Corp. or its authorized agents. Gemini Sound Products Corp. will not accept liability for loss or damage caused by maintenance or repair performed by unauthorized personnel.



**Worldwide Headquarters • 120 Clover Place, Edison, NJ 08837 • USA
Tel: (732) 738-9003 • Fax: (732) 738-9006**

France • Gemini France (GSL) • 1, Allee d'Effiat, Parc de l'événement, 91160 Longjumeau, France
Tél: + 33 1 69 79 97 70 • Fax: + 33 1 69 79 97 80

Germany • Gemini Sound Products GmbH • Liebigstr. 16, Haus B - 3.0G, 85757 Karlsfeld, Germany
Tel: 08131 - 39171-0 • Fax: 08131 - 39171-9

UK • Gemini Sound Products • Unit C4 Hazleton Industrial Estate, P08 9JU Waterlooville, UK
Tel: 087 087 00880 • Fax: 087 087 00990

Spain • Gemini Sound Products S.A. • Rosello, 516, 08026 Barcelona, Spain,
Tel: 349-3435-0814 • Fax: 3493-347-6961

© Gemini Sound Products Corp. 2004 All Rights Reserved.